



DORMA VISUR

—



All-Glass Double-Acting Door System

DORMA VISUR

Design & Function in Perfect Transparency

The **DORMA VISUR** double-acting pivot system creates all-glass double-acting doors without any visible fittings. All hardware components are located in the surrounding structures of the door panel—allowing architects and specifiers to choose any material and any color for the surrounding structures.

Endurance tests have subjected the VISUR double-acting pivot system to 500,000 operating cycles. These tests prove that an all-glass VISUR door will stand up to demanding traffic over time—embodying design and function in perfect transparency.

DORMA VISUR uses the **DORMA RTS** concealed overhead closer to operate the closing function invisibly. After each opening action, the concealed closer returns the door reliably to its zero position and its backcheck damping feature prevents excessive opening force

from damaging the door leaf. The standard hold-open feature allows the door to be retained at an opening angle of 90°, while clampable, leaf-integral tabs provide the mating connection for the concealed pivot fittings top and bottom. Hidden within the floor is the bottom bearing housing with the pivot bearing mounting designed for a standard 2-3/4" (70 mm) pivot center. The depth of installation is 2-1/2" (64 mm) and the diameter of the bearing housing is just 5" (127 mm).

Options

Complete set for single leaf doors including header tube, RTS 88, and top and bottom pivot.

Reference Number

- 803.770 single door
- 803.771 double door

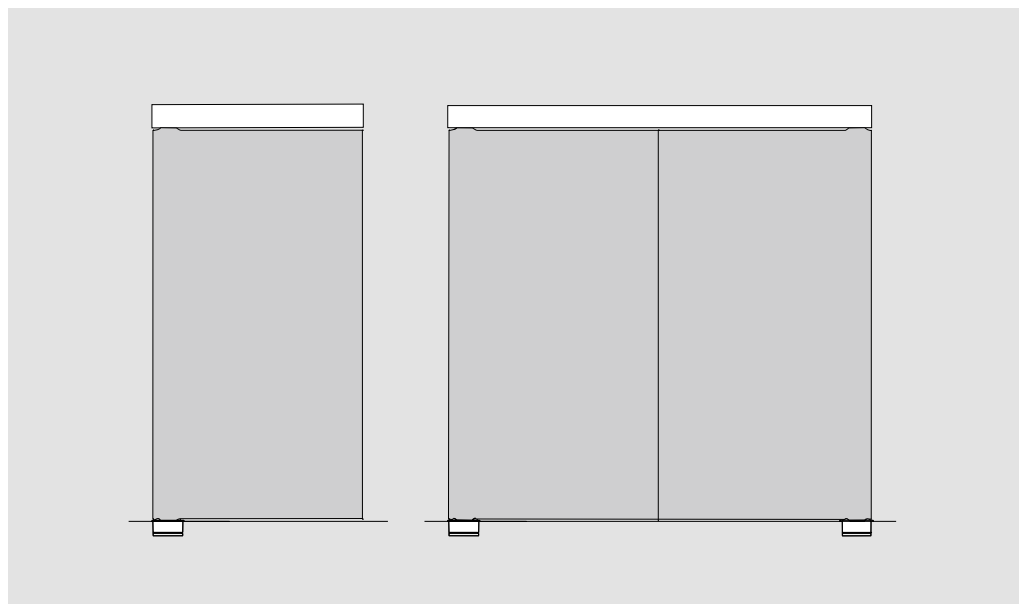
Materials & Finishes

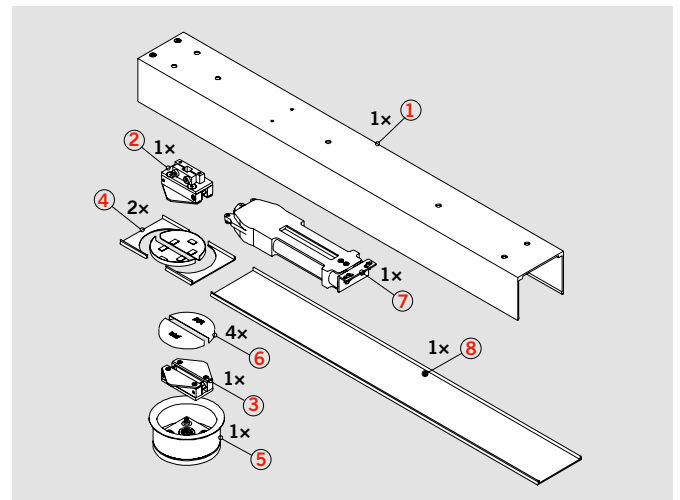
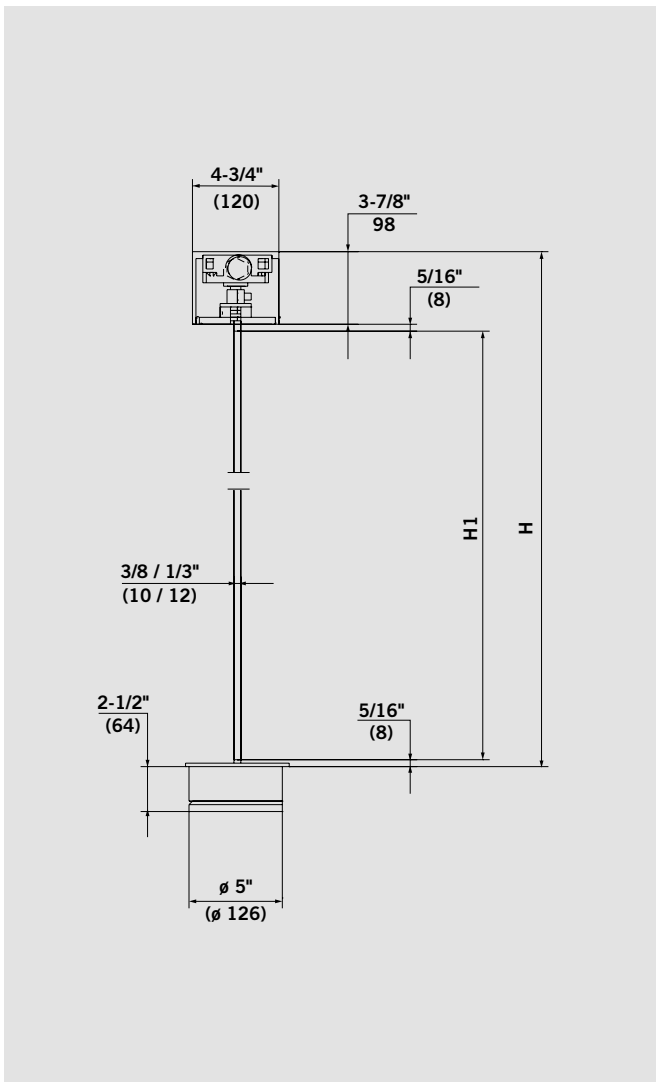
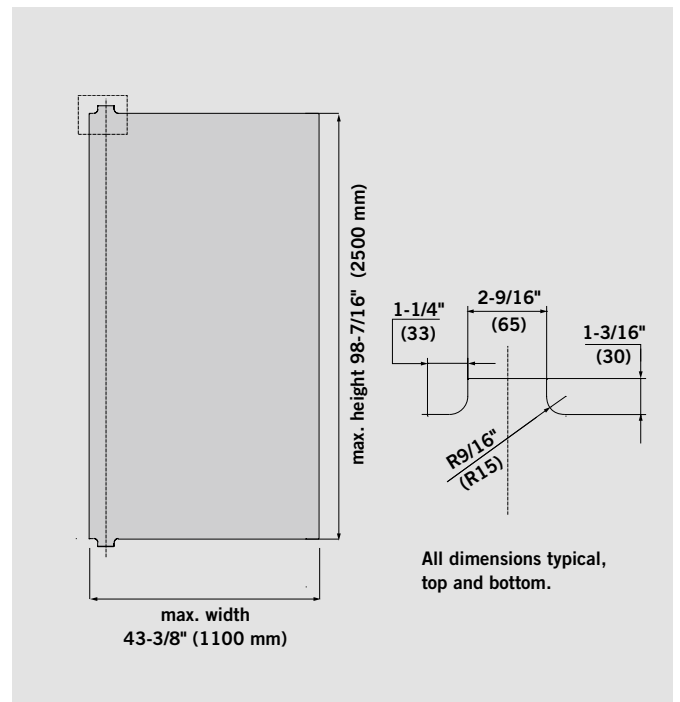
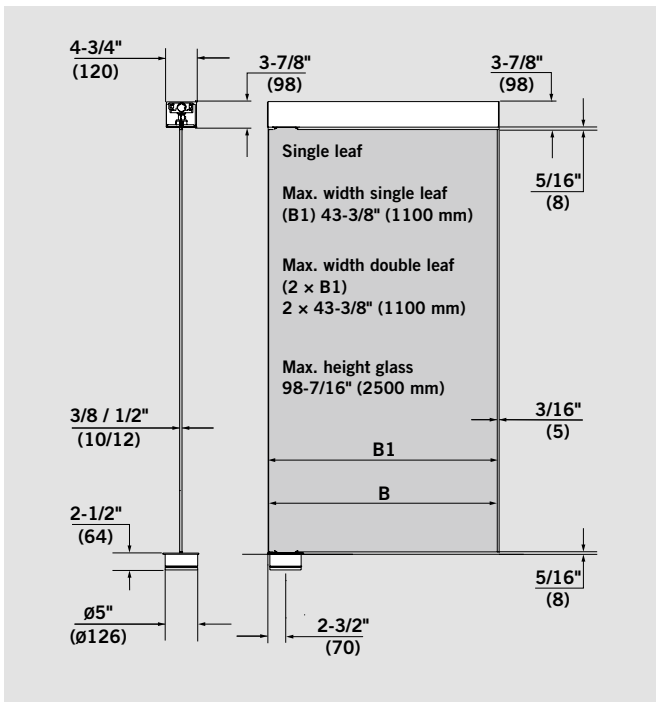
- Bright Clear Anodized Aluminum (114)



Dimensions

- Glass thickness
3/8" – 1/2" (10 – 12 mm)
- Max. door panel weight
187 lb (85 kg)
- Max. door panel width (B1)
43-3/8" (1100 mm)
- Max. door panel height (H1)
98-7/16" (2500 mm)





Calculation of glass measurements:

$H1 = H - 4-1/2"$ (114 mm)

$B1 \text{ single leaf} = B - 13/32"$ (10 mm)

$B1 \text{ double leaf} = \frac{B - 19/32"}{2}$ (15 mm)

Ref. #		
1	803.775*	1 part for max. panel width 43-3/8" (1100 mm)
2	803.776*	2 parts for max. panel width 2 x 43-3/8" (1100 mm)
3	803.783	Glass clamping piece top
4	803.782	Glass clamping piece bottom
5	803.785	Cover profile parts for door closer pivot pin 3-1/2" (90 mm)
6	803.786	Bottom bearing housing with cover ring
7	803.784	Cover caps
8	RTS88	(Specify spring size, NO or NH0, opening degree)
	803.777	Single - Header Tube Cover
	803.778	Double - Header Tube Cover

* Header tube for installation under the ceiling



www.dorma.com



DORMA USA, Inc.
Dorma Drive, Drawer AC
Reamstown, PA 17567
Tel: 800 523 8483
Fax: 800 274 9724
archdw@dorma-usa.com

DORMA Canada
1680 Courtney Park Drive, Unit 13
Mississauga, Ontario L5T 1R4
Tel: 800 387 4938
Fax: 905 670 5850
www.dormacanada.com

DORMA Mexico
Calle Sur 110 no. 63, Col. Tolteca
01150 México, D.F.
Tel: 5255 5272 6937
Fax: 5255 5272 6948
operacion@dorma.com.mx